

## FIFTH WHEEL TOWING & RECOVERY DEVICE (FWTRD) MODEL 250M A2

### SPECIFICATIONS

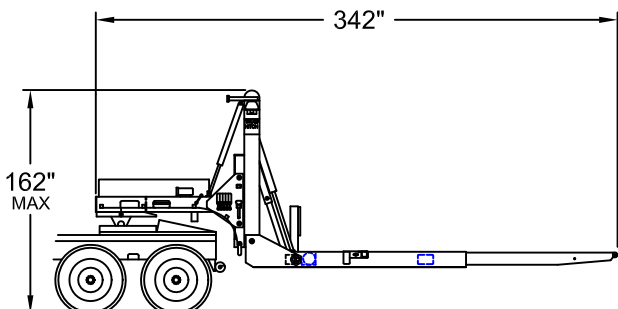
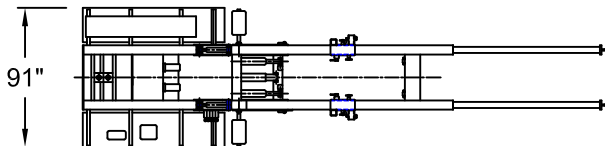
Curb Weight: 8,400 lbs (3,820 kg)  
 Lift Capacity: 32,000 lbs (14,550 kg)  
 Gross Combined Weight (GCW): 140,000 lbs (63,600 kg)  
 Length:  
     On Ground, Fully Extended: 342" (8690 mm)  
     Transport Configuration: 148" (3760 mm)  
 Width: 91" (2310 mm)  
 Height:  
     Towing Configuration: 162" max (4115 mm)  
     Transport Configuration: 58" (1470 mm)  
     On Ground: 113" (2870 mm)

Speeds:  
 Transporting:  
     Highway, Improved Roads: 50 mph (80 kph)  
     Unimproved Roads: 50 mph (80 kph)  
 Towing:  
     Highway, Improved Roads: 50 mph (80 kph)  
     Unimproved Roads: 35 mph (56 kph)  
     Off Road: 25 mph (40 kph)  
 Winch: 18,000 lbs (8,180kg)  
     36,000 lbs (16,360 kg) w/ snatch block

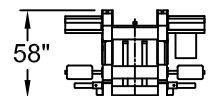
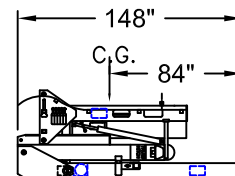
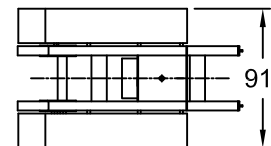
Operation: Electric/Hydraulic, 12 / 24Volt  
 Solenoid / Manual Valves  
 Hydraulics:  
     Self Contained: 3,000 psi max, 18 gal cap.  
     Wet Line Provision  
 Air Lines: Glad Handles  
 Paint: Carc Green, Desert Sand  
 Lighting: 12V / 24V  
 Tie Downs: (12) D-rings  
 Air Transportability: C130 Deployable  
 Interchangeable King Pin: 2" or 3.5"

#### Accessories:

Tool Box	Eight Cribbing Blocks
Mud Flaps	Steel Fenders
Light cord	Hand Held Control
Strobe Lights	Tow bar Adapters
Frame Hooks	Wheel Stops
Chain & Binder Kit	Carwell
Recovery Sheave	
Lav/Stryker Tow Adapters	



TOWING CONFIGURATION



SHIPPING CONFIGURATION